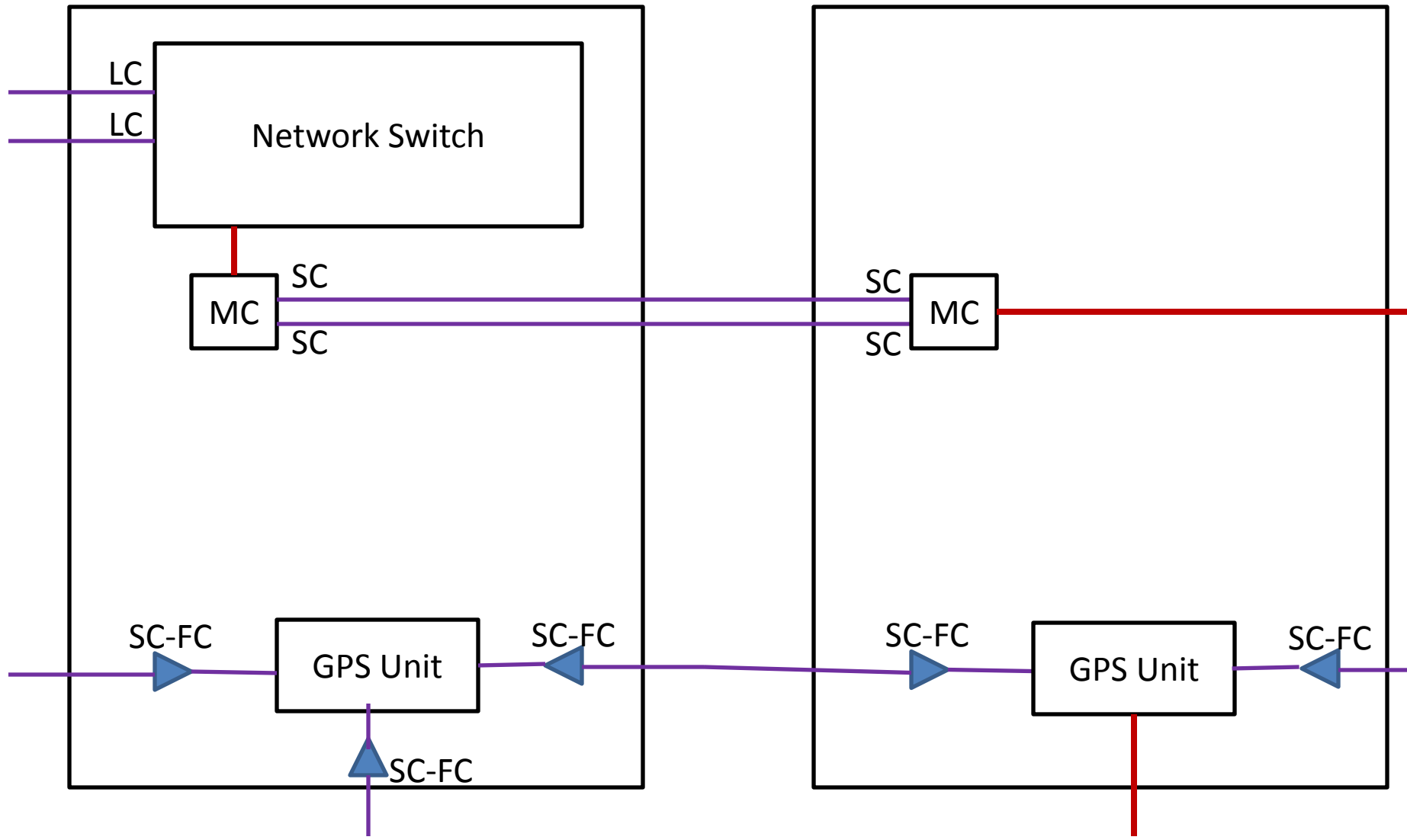


MC Media Converter

— Copper line
— Fiber line

Shaft Box

Station Box



	Shaft	Station	Level (shaft + 4 stations)
SC-FC jumper	3	2	11
SC pigtail	$2 \times 4 + 3 = 11$	$2 + 2 = 4$	27
Med. Conv.	4	1	5