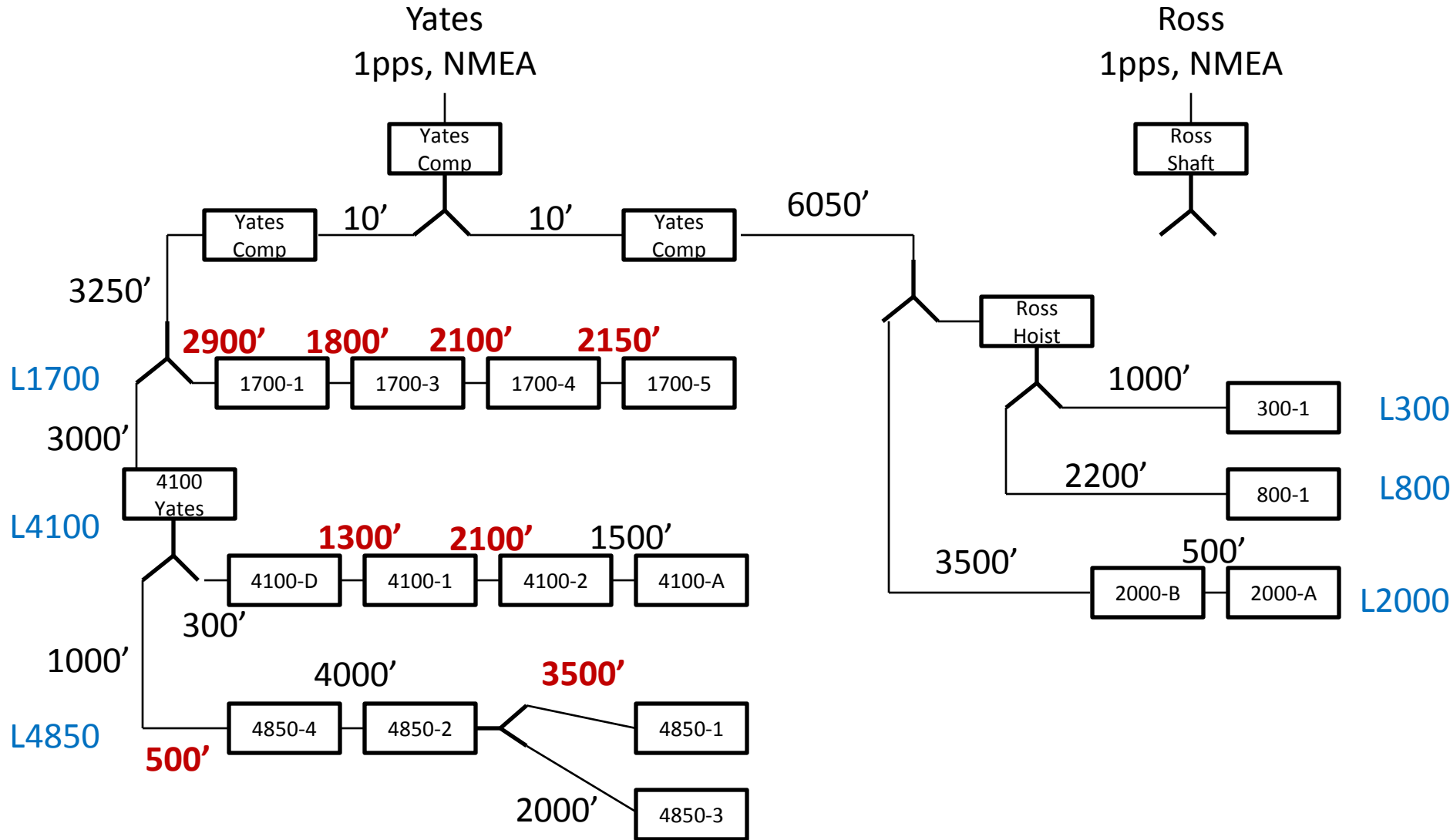


Option 1



Option 2

